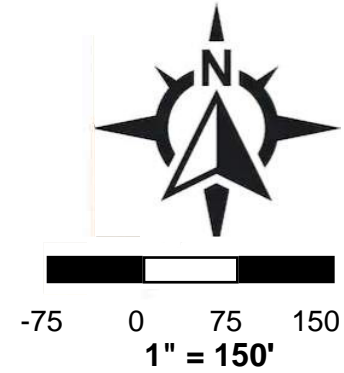
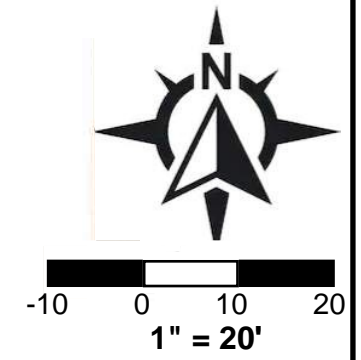
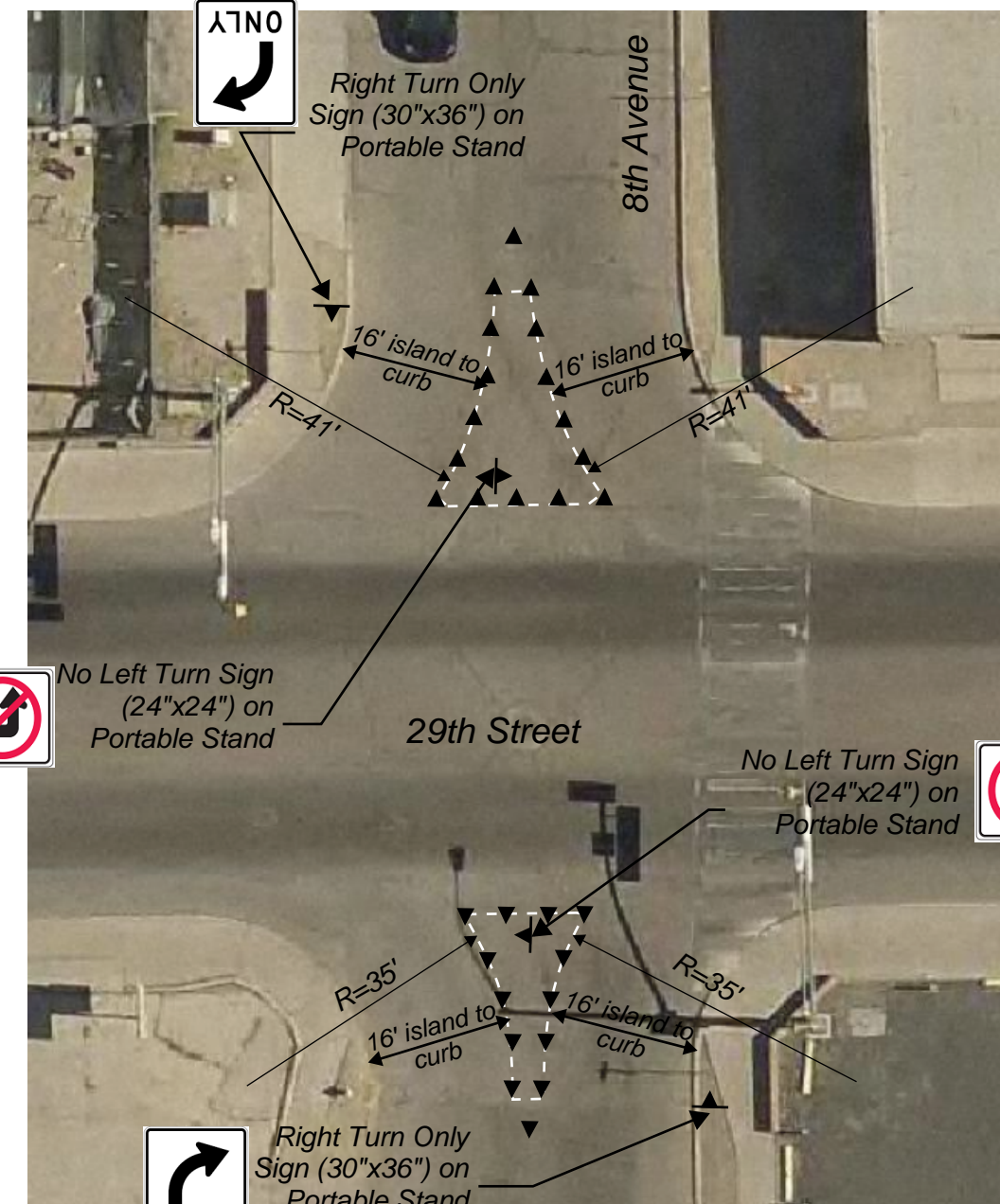
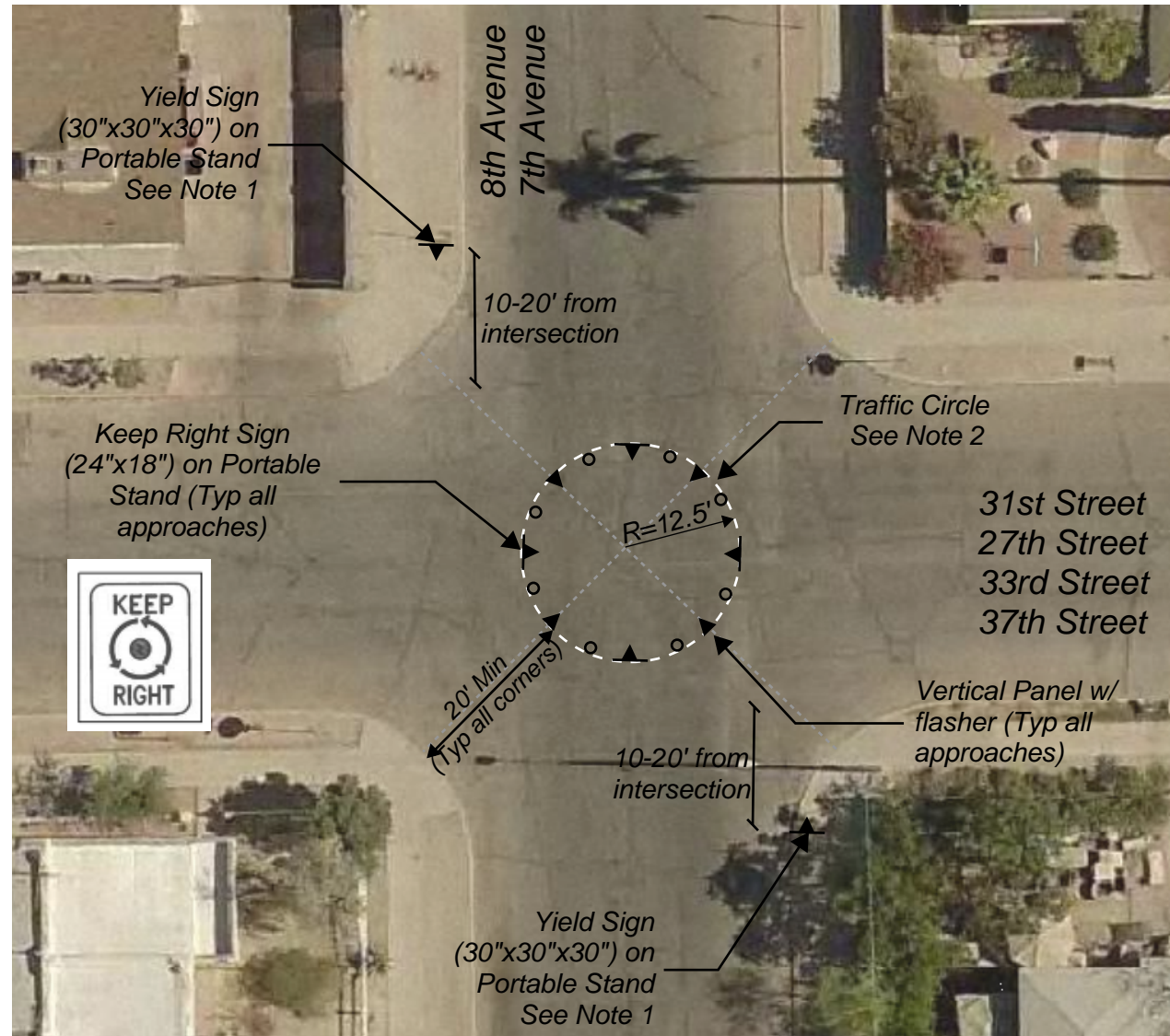


LEGEND

(X) Traffic Control Treatment type. See respective Traffic Control Detail # in sheets 2-3





NOTES:

1. Yield signs are to be installed at all traffic circle approaches where the street is not already controlled by a stop sign.
2. Circle radius is approximate. Verify 20' clear on every corner. Center of circle to be determined by intersecting lines from the middle of each corner return. Circle to be delineated by a combination of traffic cones, vertical panels and Keep Right signs spaced approx 5' from each other.

Traffic Circle Quantities (4 Locations)

Item	Quant
Yield signs w/ flasher	6
Keep Right signs w/ flasher	16
Vertical Panels w/ flasher	16
Traffic Cones	32

1 TRAFFIC CIRCLE TRAFFIC CONTROL DETAIL

LEGEND	
	Sign on Portable Stand w/ flasher
	Vertical Panel w/ flasher
	Traffic Cone

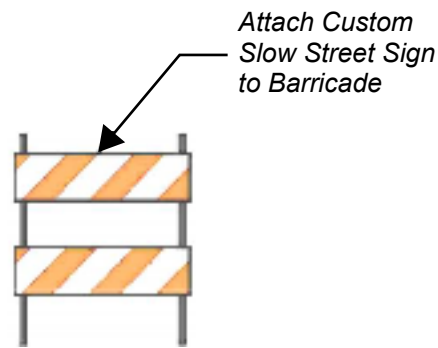
Channelizing Island Quantities (1 Location)

Item	Quant
No Left Turn signs w/ flasher	2
Right Turn Only signs w/ flasher	2
Vertical Panels w/ flashers	29

2 CHANNELIZING ISLAND TRAFFIC CONTROL DETAIL

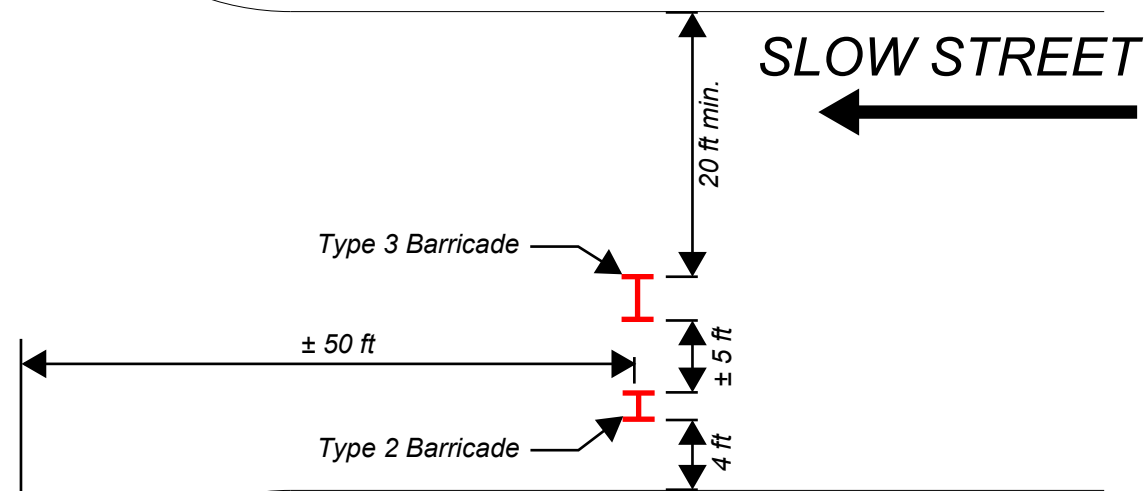
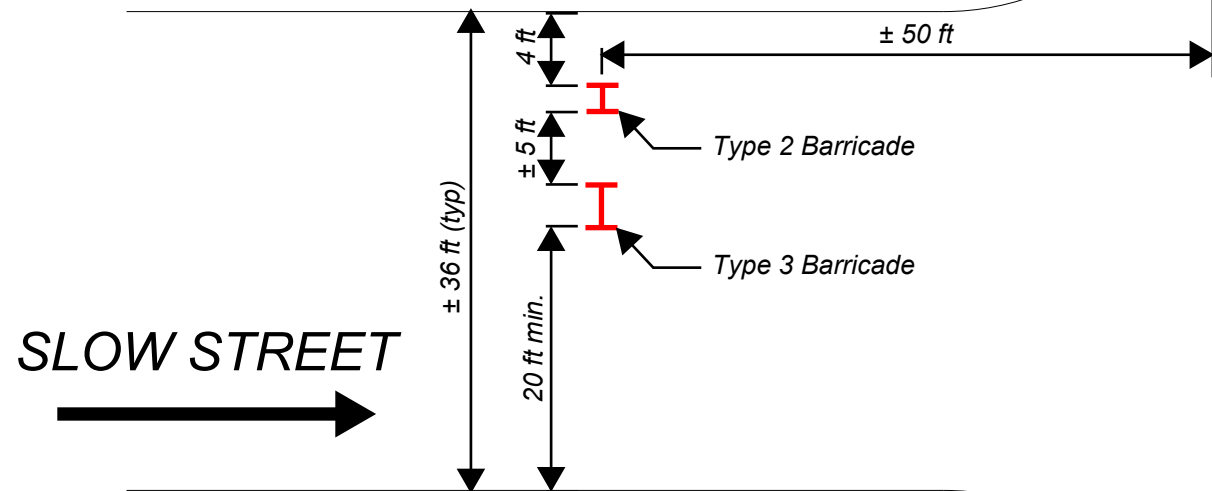


R11-4 on Type 3 Barricade with Two Steady Burn Warning Lights (60" Width)



Type 2 Barricade with Steady Burn Warning Light (24" Width)

3 **BARRICADE DIVERTER**
TRAFFIC CONTROL DETAIL



Barricade Diverter Quantities (16 Locations)

Item	Quant
R11-4	16
Type 3 Barricade w/flashers	16
Type 2 Barricade w/Flasher	16
Custom Slow Street Sign	16